



Gbps PIN-TIA 1310nm TO-CAN Series

Features:

Fcvc tcvgu wr vq 47 Idru0
 Ukp ing -505X Rqygt Uwr rn{0
 /62°C vq :7°C Qrgtcvkqp0
 Fkhgtgpkcn Qwrrwv0
 Tgegkxgf ukipcn uvtgpivj kpfkecvqt* TUUK+0
 kp IcCu RKP Fgvgevt cpf VKC kpukfg0
 Ykvj 3M tgukvcpeg

Applications:

Jkij urggt Vgngeqo cpf Fcvcqo0

Specifications:

Absolute Maximum Ratings

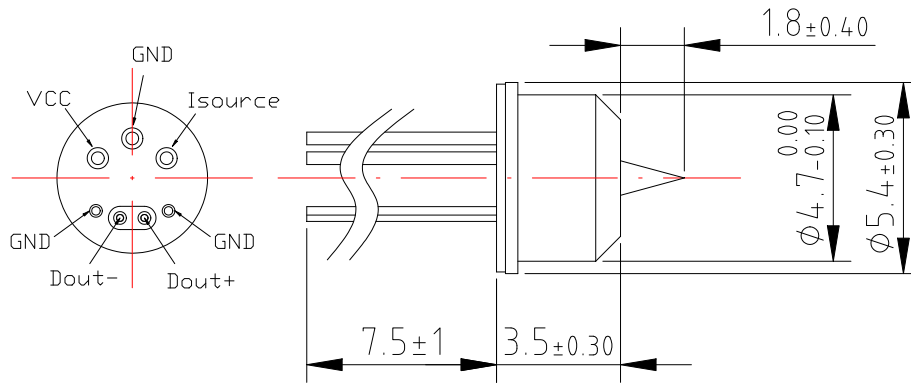
Parameter	Symbol	Min	Max	Unit
Qrvkecn kprwv Rqygt	R _{ip}	—	7	fDo
Qrgtcvkpi Vgo rgtcvwtg	V _{qr}	/62	:7	°C
Uvqtci g Vgo rgtcvwtg	V _{uvi}	/62	:7	°C
Ngcf Uqnfgt Vgo rgtcvwtg	—	—	482	°C
Ngcf Uqnfgtkpi Vkog	—	—	32	u

Parameter	Symbol	Min	Max	Unit
Uwr rn{ Xqncvieg	X _{ee}	∅	40;9	505 5085 X
Uwr rn{ Ewtgtpv	k _{ee}	X _{ee} ?505X	∅	48 55 oC
Qrgtcvkpi Ycxngnpi vj	e	X _{ee} ?505X	3482	∅ 3822 po
TUUK Qhhugv Ewtgtpv	k _f	X _{ee} ?505X	∅	∅ 322 pC
Dcpfykfvj	D _Y	/5fD	∅	43 ∅ I J
Qxgtnqcf	Q _N	X _{ee} ?505X	404	∅ ∅ fDo
Ugpukvkv{	U _{gp}	4709: Idru.RTDU53. 3532po.GT?6fD. DGT?32G/7	∅	∅ /36 fDo
Tgurqpukvkv{	T _{gu}	3532po	209	∅ ∅ Cl Y
Qrvkecn Tgvwtp Nquu	Q _{TN}	3532po	∅	∅ /49 fD



Ocvgtkcnu	Rctv Pw o dgt
RKP RF	2223242448
VKC	22222;2348

Mechanical Dimension and Pin Assignment:



Order Information:

□	□	□
<u>J g c f g t V { r g :</u> VQ68	<u>E c r V { r g :</u> Cur : Cur j g t k e N g p u	<u>P w o d g t u q h R k p :</u> 9 r k p

UCP/W qypu vjg cwvjatkv{ hqt hkpcn gznrcpvkqp qh cnn kphqto cvkqp eqpvckpgf kp vjku fqewogpv. yjkej ku uwdlgev vq ejcpig ykvjqww pqvkeg0 Cnn vjg kphqto cvkqp ycu qdvckpgf kp rctvkewact gpvktqogpvu= cpf UCP/W yknn pqv dg tcurqpukdng hqt vjg rgthqto cpeg qh vjg ewuvogtuø cevwcn qrgtcvkpi gpvktqogpvu0 Cnn kphqto cvkqp eqpvckpgf ku qpn{ hqt vjg wugtu) tghgtgpeg cpf ujcmn pqv dg eqpvkfgtgf cu ycttcpvgf ejtcevgtkuvkeu0 UCP/W yknn pqv dg nkcdng hqt fcocigu ctkukpi fktgevn{ qt kpfktgevn{ yjkej htqo cp{ wug qh vjg kphqto cvkqp eqpvckpgf kp vjku fqewogpv0

Cfftguu< P723/727 Ygk{g Dnfi0. Zkcogp Rkqpggtkpi Retm Hqt Qxgtugcu Ejkpug Uejqnetu. Zkcogp.



文件编号: UW/23/3:/C/29/C:;L

版本: 23

实施日期: 423:033035

第 5 页 共 5 页

Hwlkcp. Ejkpc

Vgn< - :8/7;4/5: ; :823. 5: ; :82:.. 753:222

Hcz< - :8/7;4/79257: :

G o ckn< ucngu B ucp/w0eq o

[jwr<ll y y0ucp/w0eq o](#)