

2.5G 850 C EL LD -CA

F

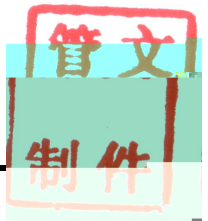
A

**Absolute Maximum Ratings:**

Parameter	Symbol	Min.	Max.	Unit

**Characteristics Ta=25 unless otherwise noted**

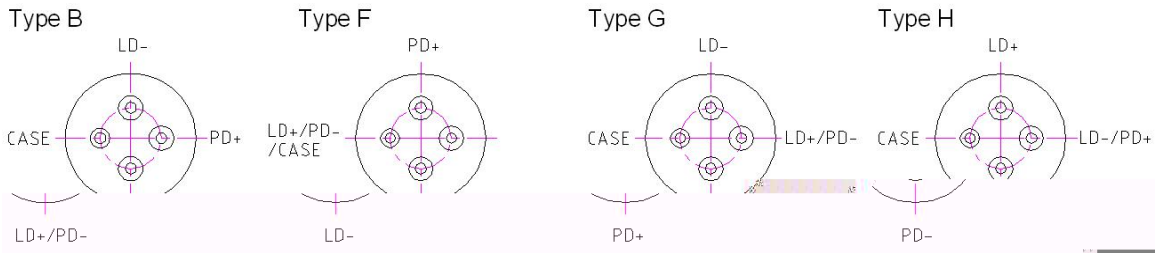
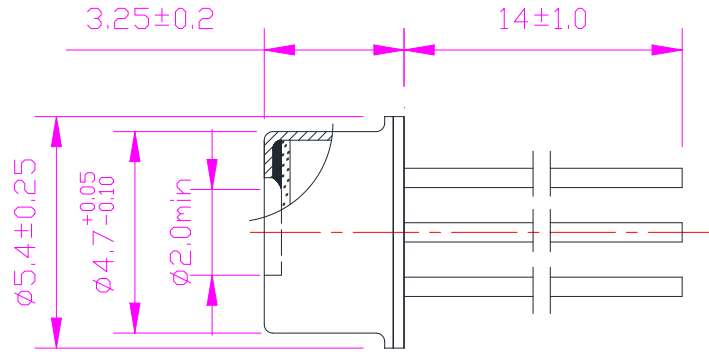
Parameter	Symbol	Test Conditions	Min.	Typ.	Max.	Unit
	$\lambda$					
	$\Delta\lambda$					
	$\eta$					



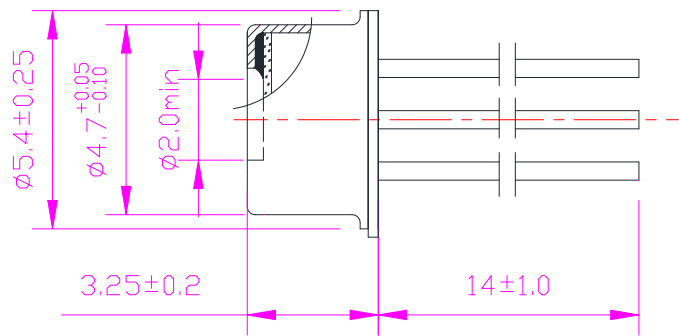
							$\mu$

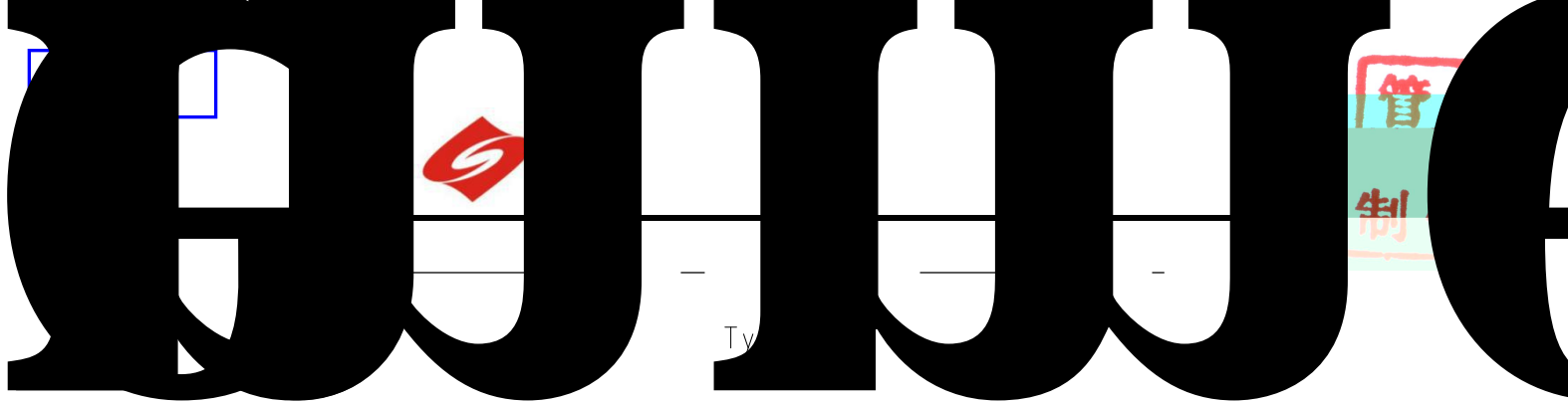
**D A :**

**LD 850nm VCSEL 2.5G-TO46-4pin-FW:**



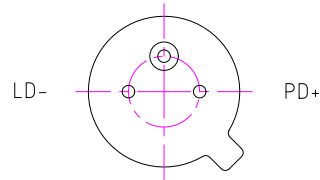
**LD 850nm VCSEL 2.5G-TO46-3pin-FW:**





Ty

LD+/PD-/CASE



BOTTOM VIEW

I :

LD 850 C EL - - - - -

Statement